

## Adjusting plates to suit every mounting situation

You require full flexibility when combining screw jacks with bevel gears? Should it be mounted on a plane or on a base plate?

Nozag offers a neat and elegant solution. Nozag has the suitable adjusting plates for any mounting problem.

The more complex and specific the combination of compact drive components, the bigger the likelihood that you have different axle levels.

Such differences can be solved easily – depending on the combination of the components – by using adjusting plates with the screw jack or the bevel gear. This way you have compact units, full flexibility for combinations, all on one mounting level.

### Adjusting Plates

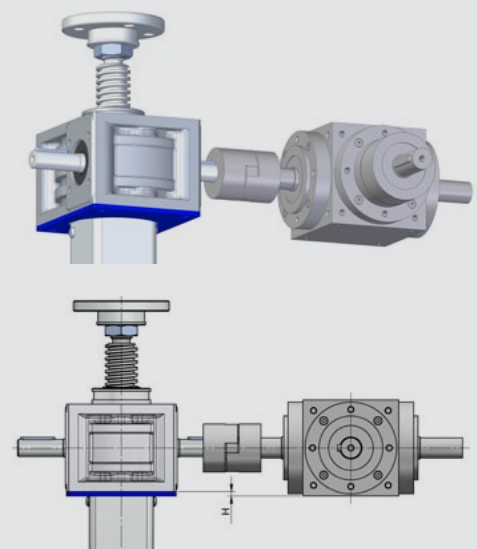
Order your combination and simply add the right adjusting plate. Ready-made adjusting plates are available for the following combinations. More about order conditions after this list.

Order No.	Clearing distance	Assembly under
<b>NSE-AP-NSE2-RM12</b>	5.5 mm	Screw Jack
<b>NSE-AP-NSE5-RM12</b>	1.5 mm	Screw Jack
<b>NSE-AP-NSE5-RM19</b>	14.0 mm	Screw Jack
<b>NSE-AP-RM12-NSE10</b>	4.5 mm	Bevelgearbox
<b>NSE-AP-NSE10-RM19</b>	8.0 mm	Screw Jack
<b>NSE-AP-NSE25-RM19</b>	4.0 mm	Screw Jack
<b>NSE-AP-RM24-NSE50</b>	3.0 mm	Bevelgearbox
<b>NSE-AP-RM24-NSE100</b>	25.0 mm	Bevelgearbox

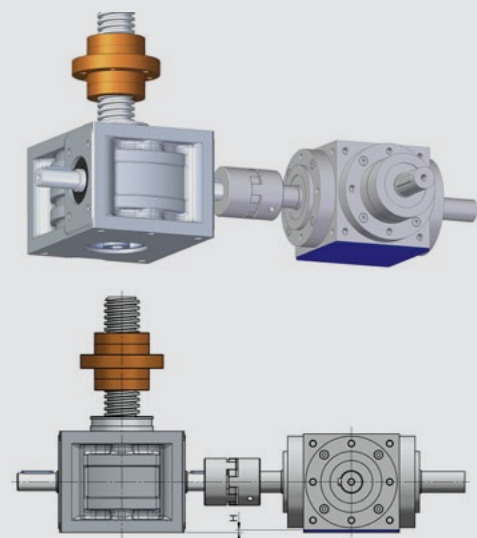
NSE = mounted screw jack drives

RM = mounted bevel gear drives

We are at your disposal for further information or we develop a customized solution for you. Do not hesitate to contact us for an initial consultation.



Adjusting plate with screw jack drives



Adjusting plate with bevel gear drives